

COMPONENT MATERIALS

STRAINER MATERIAL TYPE 7

Components	Cast Iron	Welded Steel	Cast Steel	Cast Stainless Steel	Cast Bronze
1 Body	Cast Iron ASTM A278 Class 30	Carbon Steel ASTM A36	Cast Steel ASTM A216 WCB	Cast Stainless Steel ASTM A351 CF8M	Bronze C-95800
Screen Bushing	N/A	Bronze	Bronze	Bronze	N/A
2 Inspection Cover	Cast iron ASTM A278 Class 30	Carbon Steel	Carbon Steel ASTM A29 1018	Cast Stainless Steel ASTM A351 CF8M	Bronze C-95800
3 Scraper Blade ⁵	Manganese Bronze	316 Stainless Steel	Manganese Bronze	316 Stainless Steel	Cast Monel ASTM A494 Grade M35-1
4 Clamp Bar ⁵	Red Brass	316 Stainless Steel	Red Brass	316 Stainless Steel	Cast Monel ASTM A494 Grade M35-1
5 Screen Plate	Cast Iron ASTM A278 Class 30	Carbon Steel	Cast Steel ASTM A216 WCB	Cast Stainless Steel ASTM A351 CF8M ⁴	Bronze C-95800
6 Shaft Plate	Carbon Steel	Carbon Steel	Carbon Steel	316 Stainless Steel	Bronze C-93800
7 Hand Wheel	Cast Iron	N/A	Cast Iron	Cast Iron Zinc Plated	Bronze ASTM B61
8 Shaft	316 Stainless Steel	316 Stainless Steel	316 Stainless Steel	316 Stainless Steel	Monel 400 UNS N04400
9 Screen ¹	316 Stainless Steel	316 Stainless Steel	316 Stainless Steel	316 Stainless Steel	Monel 400 UNS N04400
10 Drain Separator	N/A	316 Stainless Steel	N/A	N/A	N/A
11 Drain Tube	N/A	316 Stainless Steel	N/A	N/A	N/A
12 3-way Ball Valve ⁴	316 Stainless Steel	316 Stainless Steel	316 Stainless Steel	316 Stainless Steel	316 Stainless Steel
13 Deflector ²	316 Stainless Steel	N/A	Carbon Steel	316 Stainless Steel	Monel 400 UNS N04400
14 Apron ²	316 Stainless Steel	N/A	316 Stainless Steel	316 Stainless Steel	Monel 400 UNS N04400
15 Wetted Fasteners	316 Stainless Steel	316 Stainless Steel	316 Stainless Steel	316 Stainless Steel	Monel 400 UNS N04400
16 External Fasteners	Medium Carbon Steel	316 Stainless Steel	Medium Carbon Steel	316 Stainless Steel	Monel 400 UNS N04400
17 O-Rings	Nitrile (Buna N)	Nitrile (Buna N)	Nitrile (Buna N)	Viton	Viton
18 Keys	316 Stainless Steel	316 Stainless Steel	316 Stainless Steel	316 Stainless Steel	Monel 400 UNS N04400
19 Collar	303 Stainless Steel	303 Stainless Steel	303 Stainless Steel	303 Stainless Steel	303 Stainless Steel
20 Washer	Sintered Bronze	Sintered Bronze	Sintered Bronze	Sintered Bronze	Sintered Bronze
21 Motorized Drive ⁴ (Housing Adapter)	Cast Iron ASTM A278 Class 30	Cast Iron ASTM A278 Class 30	Cast Iron ASTM A278 Class 30	Cast Iron ASTM A278 Class 30	Bronze C-93800
22 Motorized Valve Body ⁴	Cast 316 Stainless	Cast 316 Stainless	Cast 316 Stainless	Cast 316 Stainless	Bronze
Ball and Stem	Stainless Steel	Stainless Steel	Stainless Steel	Stainless Steel	Bronze
Packing and Seat	PTFE	PTFE	PTFE	PTFE	PTFE
23 Swage Nipple ⁴	Carbon Steel ASTM A234	N/A	Carbon Steel ASTM A234	Stainless Steel T-304	Monel 400 ASTM B61
24 Pressure Switch ⁴	316 L Stainless	316 L Stainless	316 L Stainless	316 L Stainless	316 L Stainless
Diaphragm	Viton	Viton	Viton	Viton	Viton
Seals	Viton	Viton	Viton	Viton	Viton
25 External Fittings ⁵	316 Stainless Steel	316 Stainless Steel	316 Stainless Steel	316 Stainless Steel	Monel 400 UNS N04400
26 External Tubing	316 Stainless Steel	316 Stainless Steel	316 Stainless Steel	316 Stainless Steel	Monel 400 UNS N04400
27 Lubricant ³	Mobil Grease XHP 200	Mobil Grease XHP 200	Mobil Grease XHP 200	Mobil Grease XHP 200	Mobil Grease XHP 200
28 External Paint ⁷	Kem Aqua 70P	Devcon 253	Kem Aqua 70P	N/A	N/A

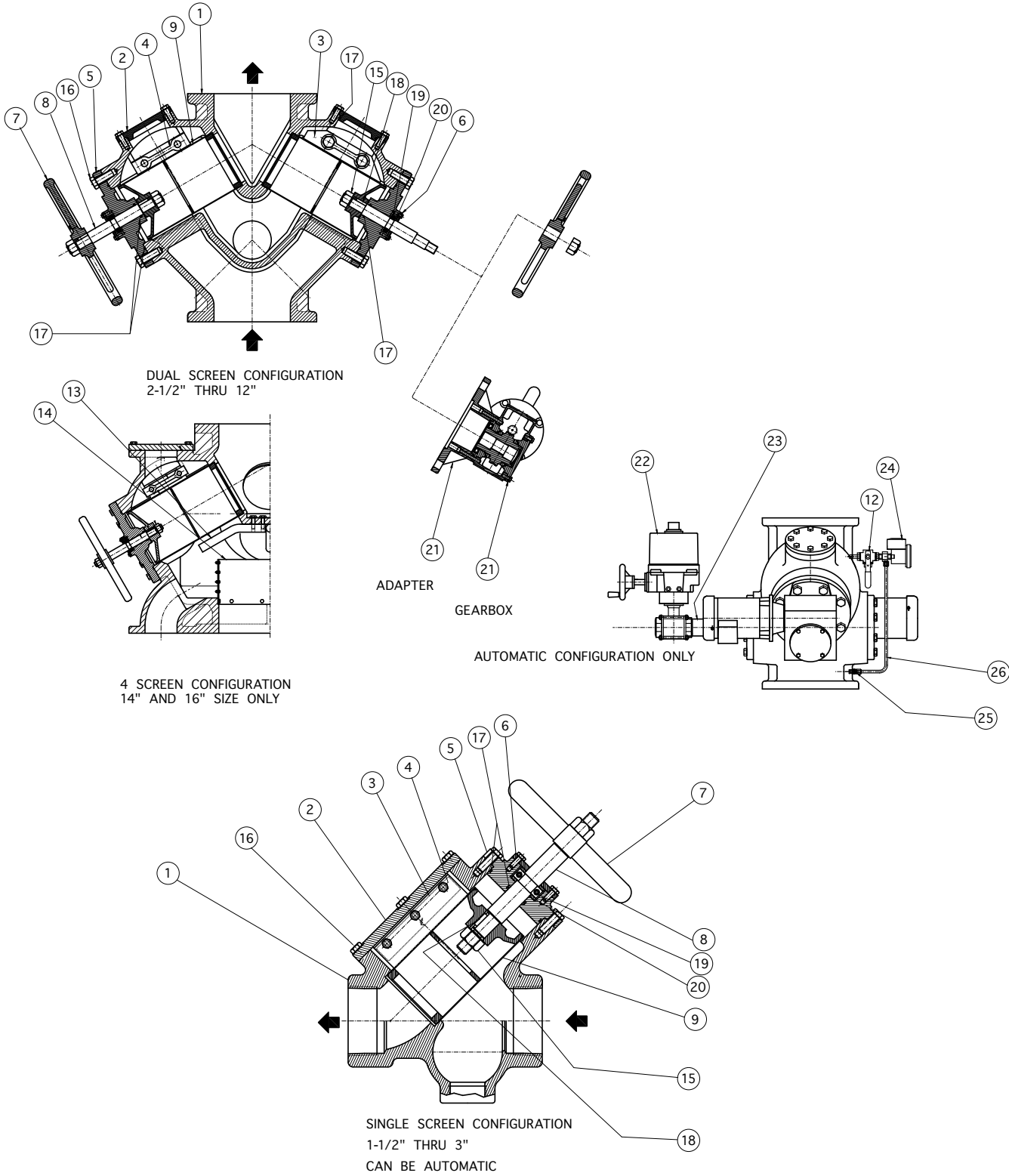
Notes:

- 1) Comprise a welded assembly.
- 2) Deflector and apron are only in 14", 16" and 20" strainers.
- 3) Lubricant is applied to threaded fasteners, thrust washers and press fit parts.
- 4) Motorized components are used only on automatic strainers.

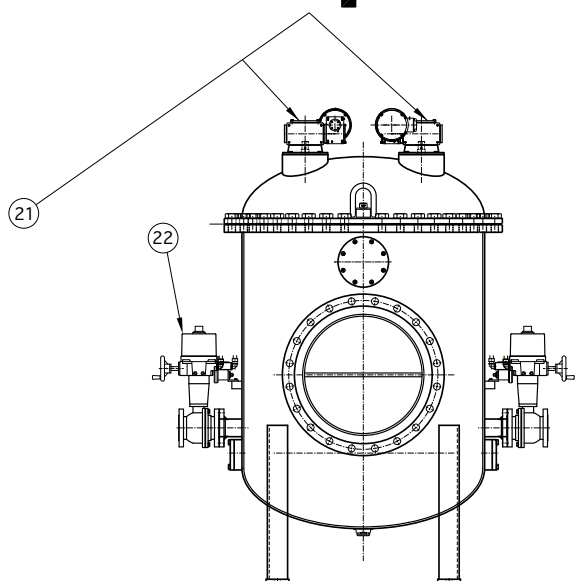
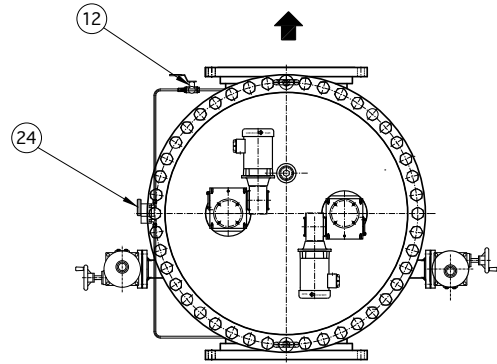
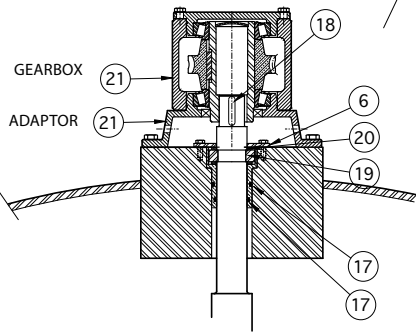
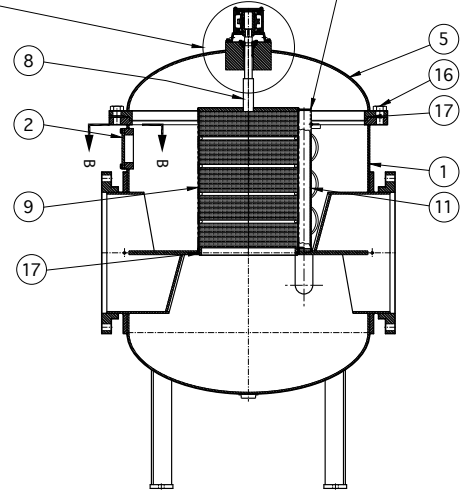
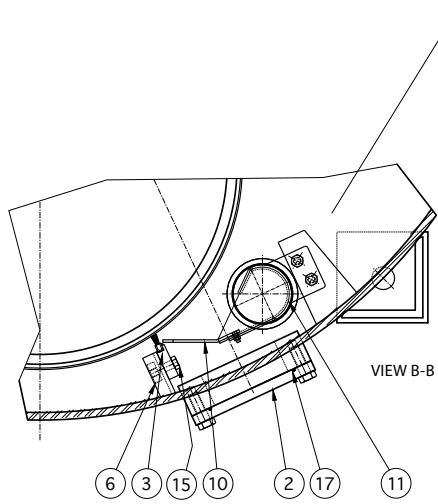
- 5) Strainers in sizes of 2" and 2-1/2" with single screens and 2-1/2" and 3" with dual screens have scraper blades integral with the body and do not use clamp bars.
- 6) Other coatings, such as epoxy, fuse coat epoxy and other special coatings are available upon request.
- 7) Body and component materials, other than those listed above, are available upon request.

The following drawings and chart list the standard component materials of construction for Hellan Strainers of various body materials.

The materials listed may change without notice and do not apply to non-standard strainers.



15



WELDED BODY CONSTRUCTION
14" AND 16" (SINGLE DRIVE AND DRAIN)
20" THRU 30" (DUAL DRIVE AND DRAIN)