

DP Series Specifications

DP-10 Port Dimensions (6 GPM Max.)

Intake & discharge connection:

Polypropylene (PPG)	3/8" Female NPT
Aluminum (ADC-12)	3/8" Female NPT
Stainless Steel (316)	3/8" Female NPT

DP-15 Port Dimensions (7.4 GPM Max.)

Intake & discharge connection:

Polypropylene (PPG)	1/2" Female NPT
Groundable Acetal	1/2" Female NPT

Air Inlet / Exhaust

Air inlet (incl. ball valve):	1/4" Female NPT
Air exhaust (incl. silencer):	3/8" Female NPT

Maximum Liquid Temperature*

Diaphragm Material	Temperature
Buna N	180°F (82°C)
Neoprene	180°F (82°C)
Santoprene® (TPO)	180°F (82°C)
PTFE	212°F (100°C)
Hytrel® (TPEE)	248°F (120°C)
Viton® fluoroelastomer	248°F (120°C)

*The maximum liquid temperature for metal and Kynar® fitted pumps is determined by the elastomer (diaphragm material). Polypropylene and Groundable Acetal pumps have a maximum liquid temperature of 180°F (82°C) regardless of diaphragm material.

Air Supply Pressure (All Models)

20–100 PSI (1.4–7 kfg/cm)

Discharge Volume Per Cycle

DP-10: 0.020 gallons (76 cc)
DP-15: 0.025 gallons (93 cc)

Maximum Cycles Per Minute

All diaphragms: 300

Maximum Size Solid

1/32" (1 mm)

Maximum Dry Suction Lift

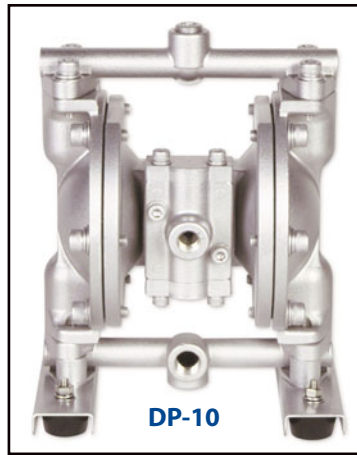
All diaphragms: 10-feet

Air Motor

Aluminum Air Motor–Standard
Optional coating: PTFE grey coated (XP)

Optional Split Manifold—contact Yamada

Notes: Hytrel® fitted pumps include Buna N wetted o-rings.
Santoprene® fitted pumps include EPDM wetted o-rings.

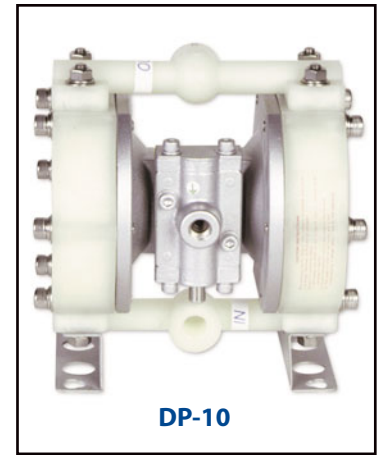


Aluminum

Dimensions: 7.32" W × 9.49" H
Net Wt.: 7.9 lbs. (3.6 kg)
Shipping Wt.: 9.9 lbs.

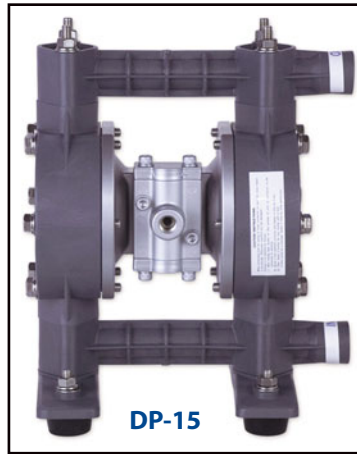
Stainless Steel

Dimensions: 7.32" W × 9.49" H
Net Wt.: 11.7 lbs. (5.3 kg)
Shipping Wt.: 13.7 lbs.



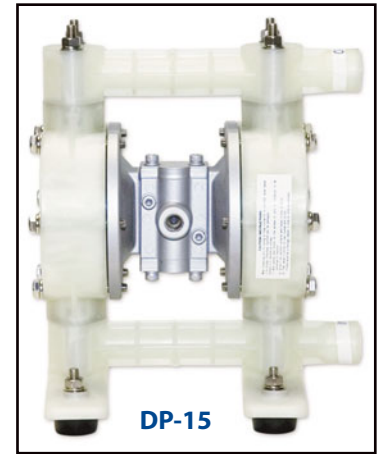
Polypropylene

Dimensions: 7.72" W × 7.72" H
Net Wt.: 6.8 lbs. (3.1 kg)
Shipping Wt.: 8.8 lbs.



Groundable Acetal

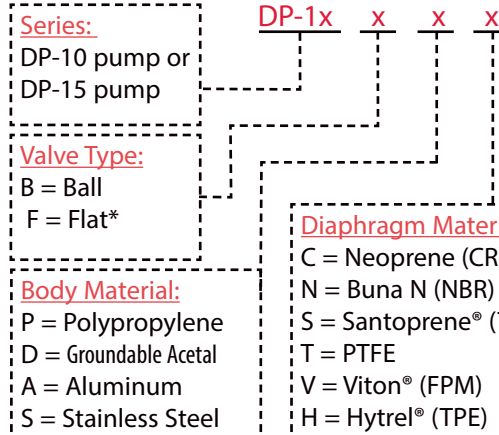
Dimensions: 9.68" W × 11.69" H
Net Wt.: 9 lbs. (4 kg)
Shipping Wt.: 12 lbs.



Polypropylene

Dimensions: 9.68" W × 11.69" H
Net Wt.: 9 lbs. (4 kg)
Shipping Wt.: 12 lbs.

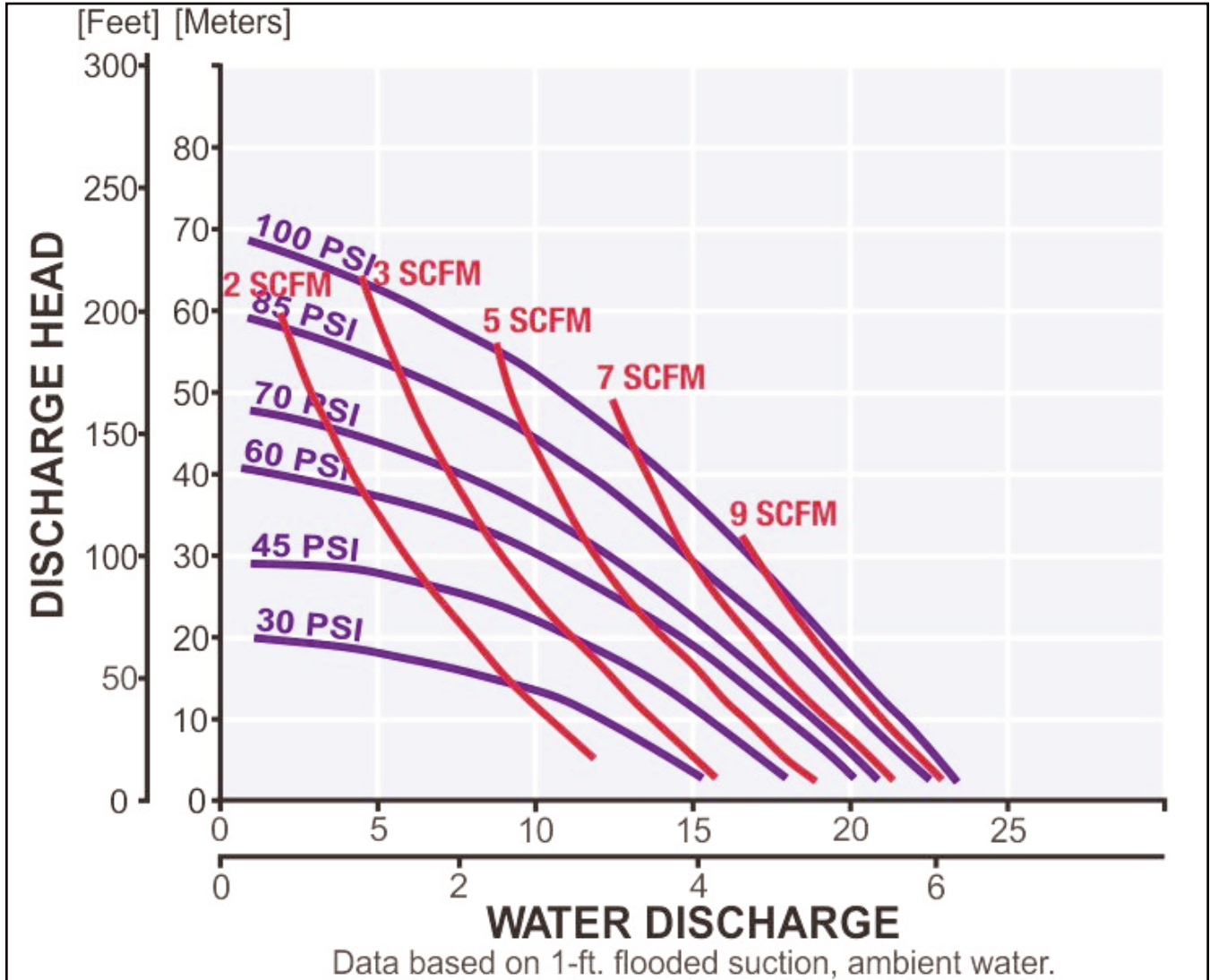
Model Number Nomenclature



* Flat valves available for DP-15 pumps only.

DP-10 Performance Curve

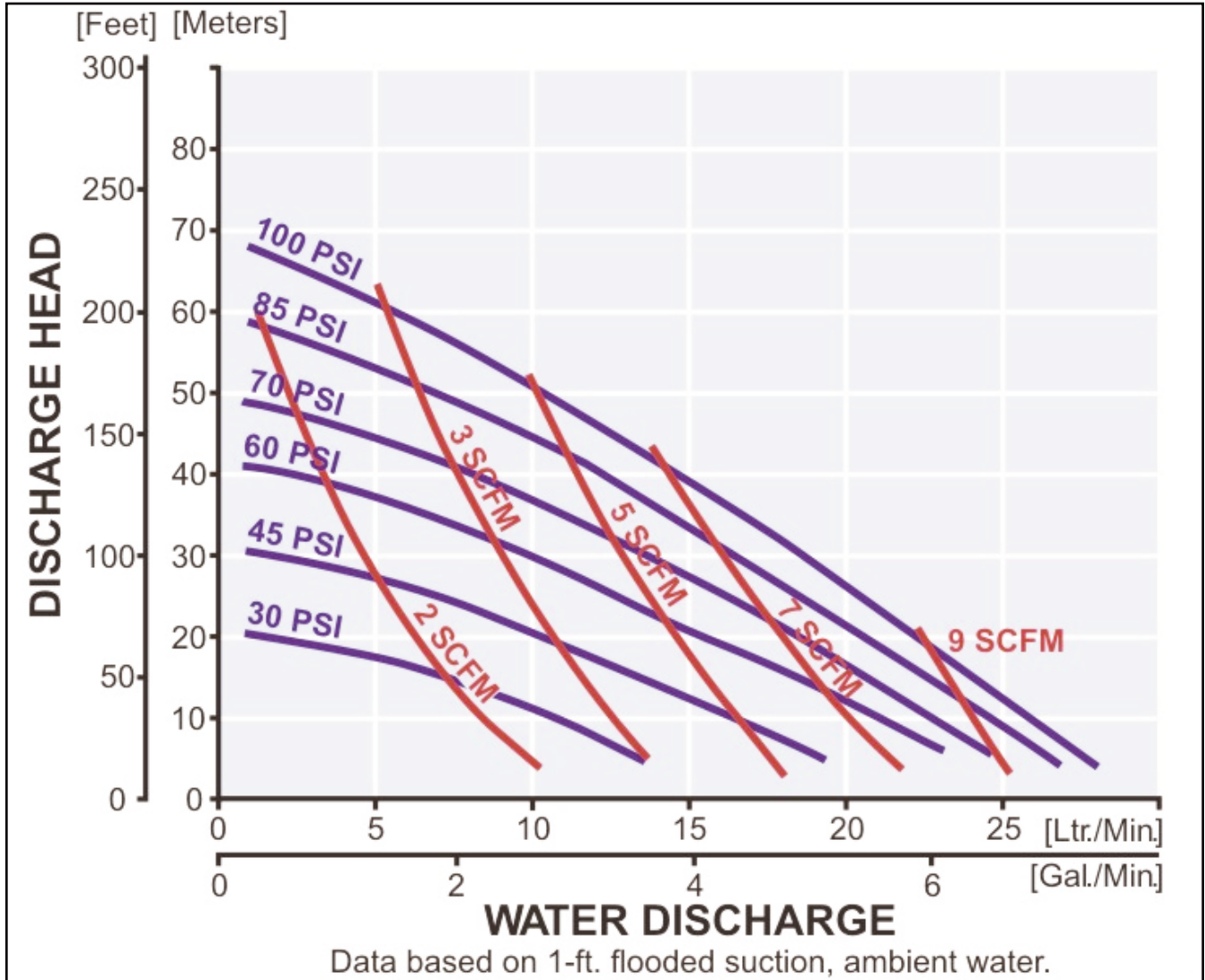
All Diaphragm Materials



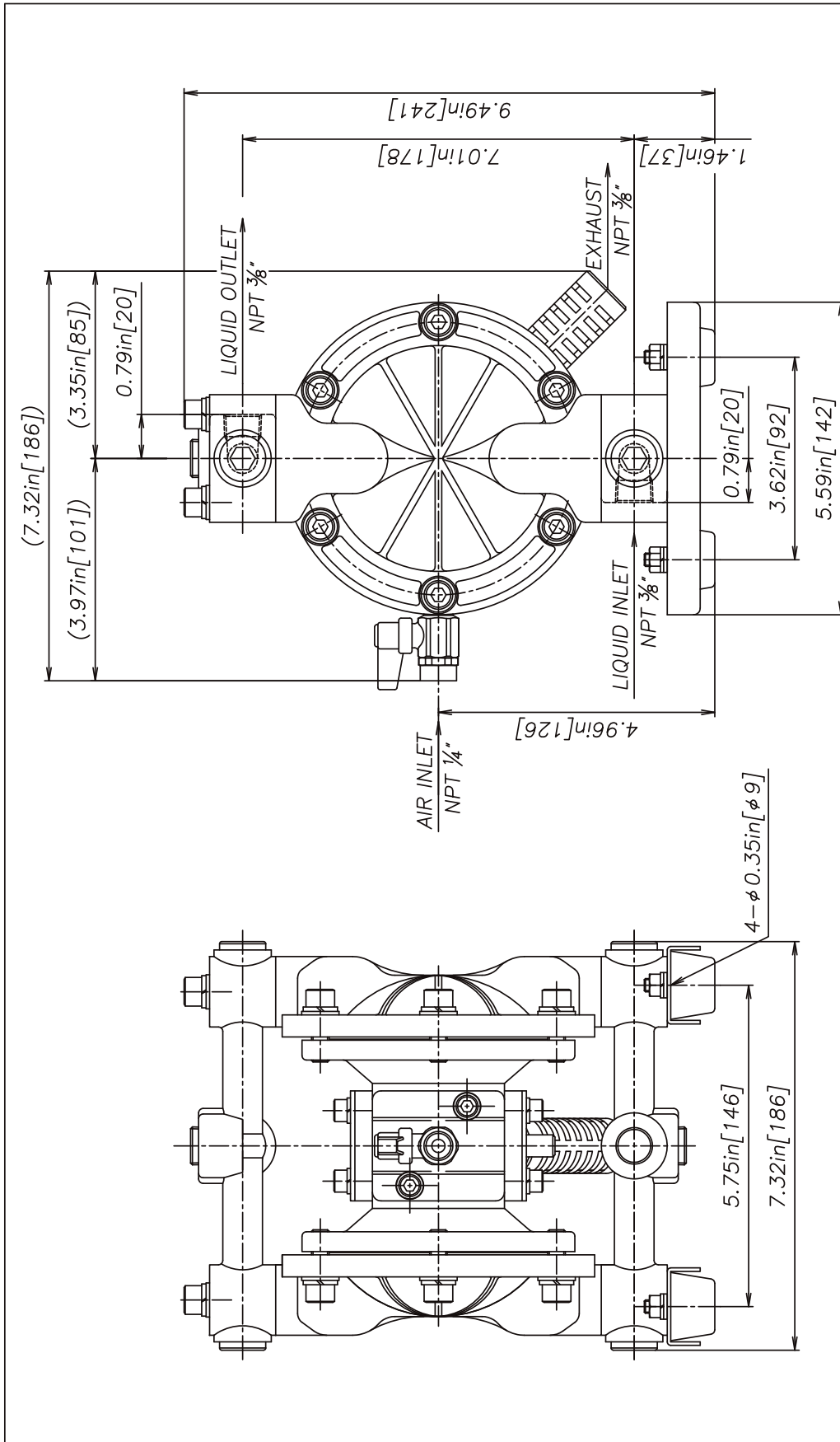
To calculate performance for Santoprene® and Hytrel®-fitted pumps, use Rubber Diaphragm Curve.

DP-15 Performance Curve

All Diaphragm Materials

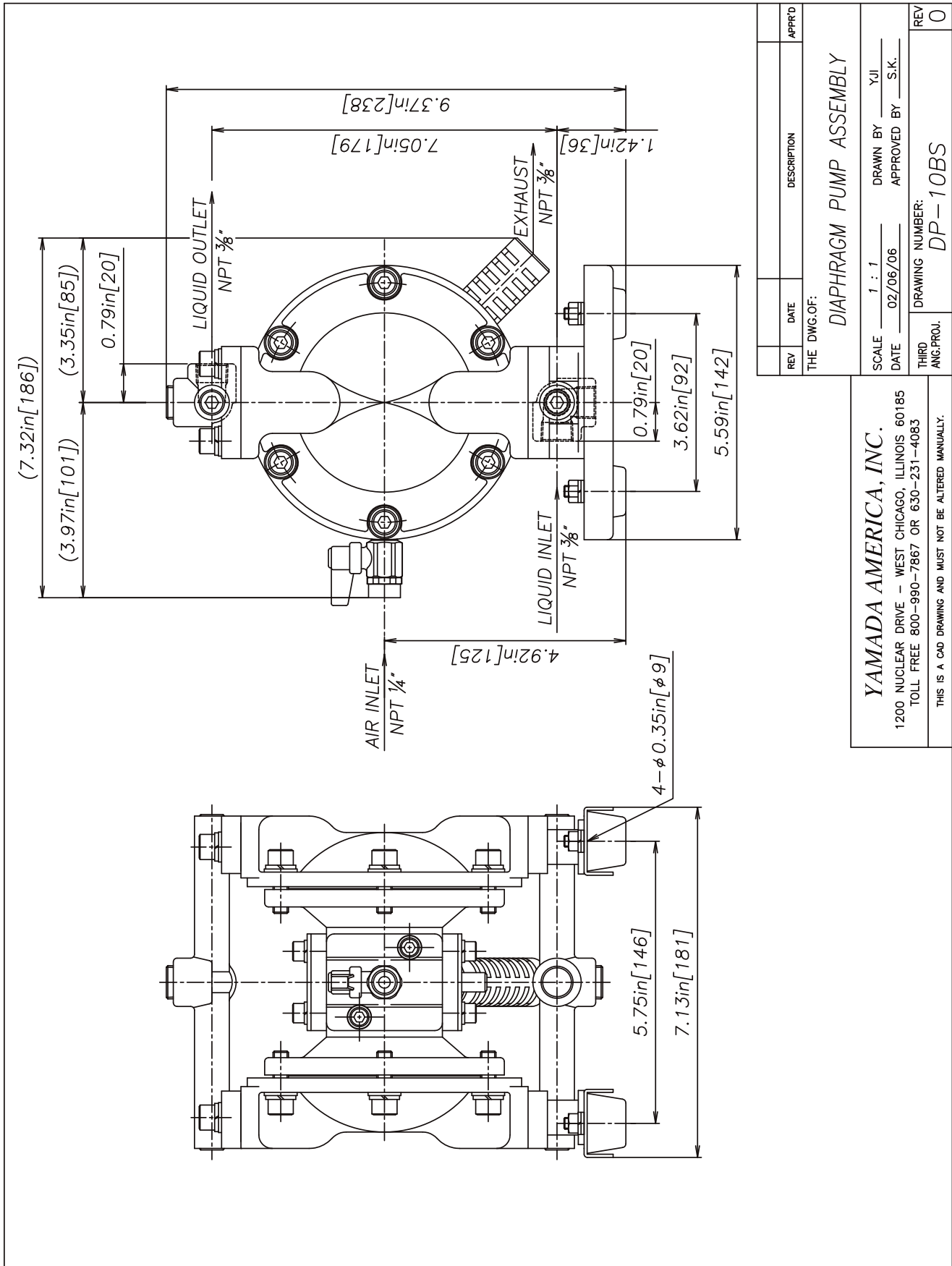


To calculate performance for Santoprene® and Hytrel®-fitted pumps, use Rubber Diaphragm Curve.



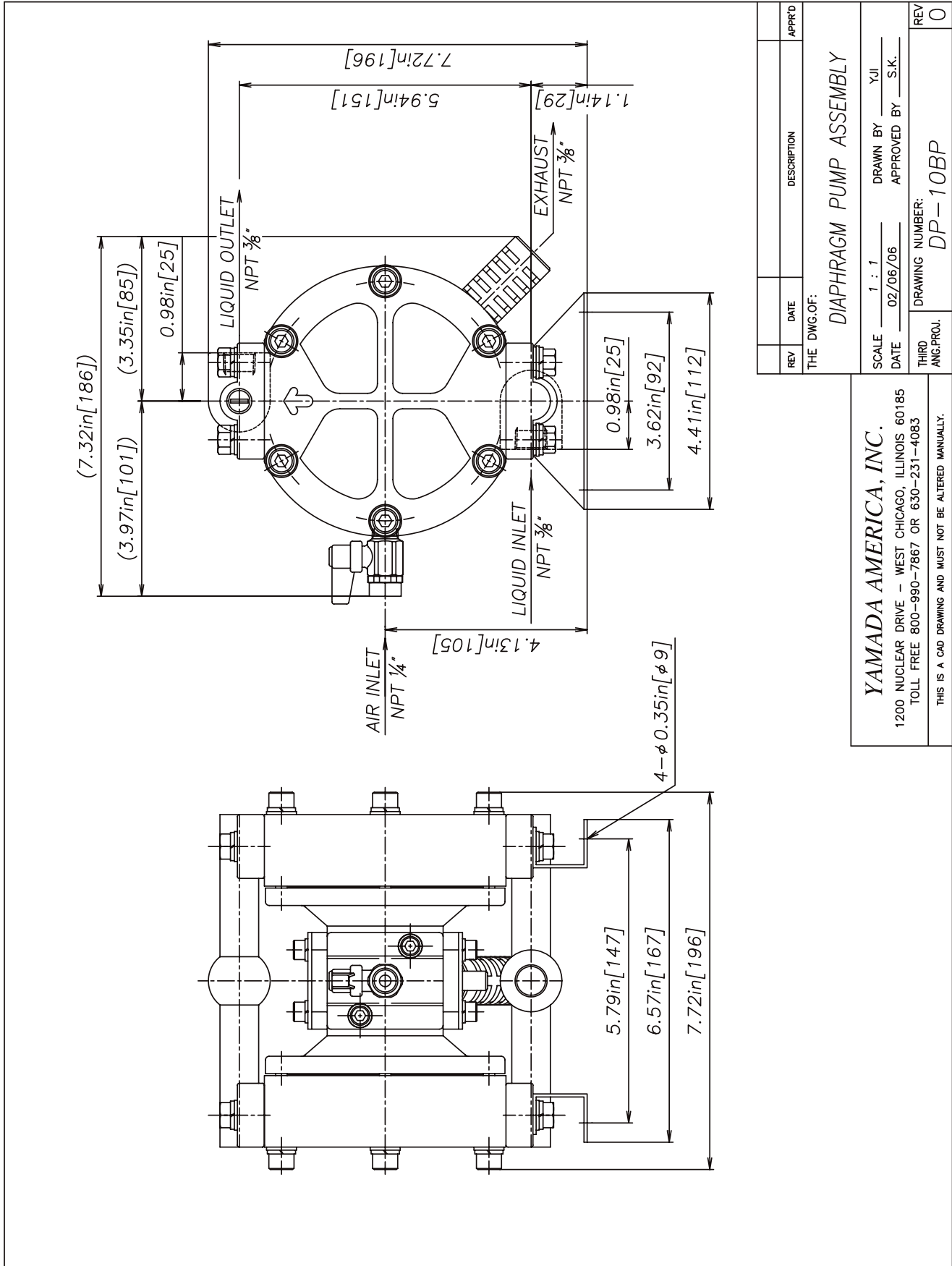
REV	DATE	DESCRIPTION	APPR'D
THE DWG. OF:			
DIAPHRAGM PUMP ASSEMBLY			
SCALE 1 : 1		DRAWN BY YJI	
DATE 02/06/06		APPROVED BY S.K.	
THIRD ANG. PROJ.	DRAWING NUMBER: DP-10BA		REV 0

YAMADA AMERICA, INC.
 1200 NUCLEAR DRIVE - WEST CHICAGO, ILLINOIS 60185
 TOLL FREE 800-990-7867 OR 630-231-4083
 THIS IS A CAD DRAWING AND MUST NOT BE ALTERED MANUALLY.



REV	DATE	DESCRIPTION	APPR'D
THE DWG. OF:			
DIAPHRAGM PUMP ASSEMBLY			
SCALE	1 : 1	DRAWN BY	YJI
DATE	02/06/06	APPROVED BY	S.K.
THIRD ANG. PROJ.		DRAWING NUMBER:	DP-10BS
REV			0

YAMADA AMERICA, INC.
 1200 NUCLEAR DRIVE - WEST CHICAGO, ILLINOIS 60185
 TOLL FREE 800-990-7867 OR 630-231-4083
 THIS IS A CAD DRAWING AND MUST NOT BE ALTERED MANUALLY.



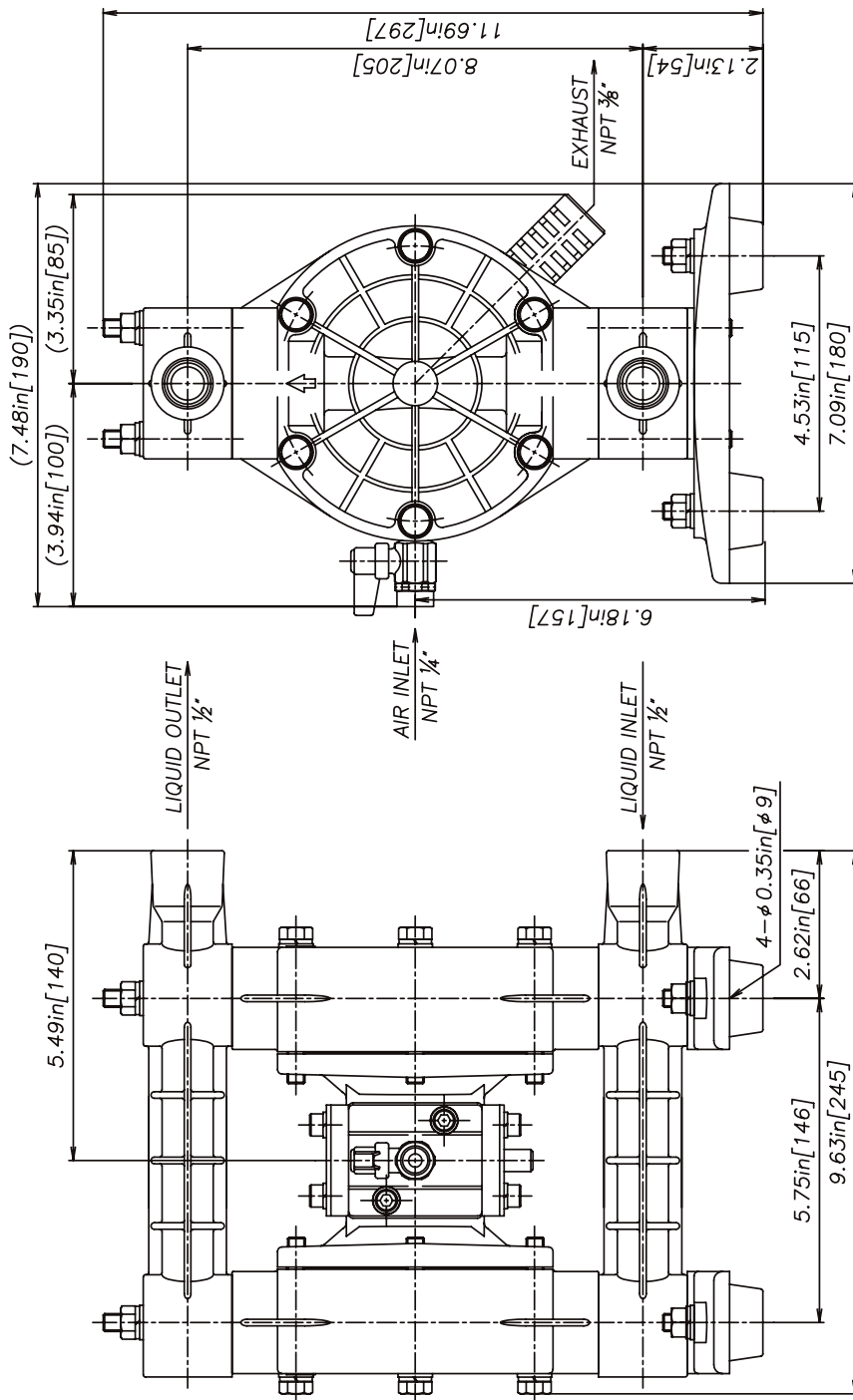
REV	DATE	DESCRIPTION	APPR'D

THE DWG. OF: **DIAPHRAGM PUMP ASSEMBLY**

SCALE: 1 : 1 DRAWN BY: YJL
DATE: 02/06/06 APPROVED BY: S.K.

THIRD ANG. PROJ. DRAWING NUMBER: **DP-10BP** REV: **0**

YAMADA AMERICA, INC.
1200 NUCLEAR DRIVE - WEST CHICAGO, ILLINOIS 60185
TOLL FREE 800-990-7867 OR 630-231-4083
THIS IS A CAD DRAWING AND MUST NOT BE ALTERED MANUALLY.



REV	DATE	DESCRIPTION	APPR'D
THE DWG.OF:			
DIAPHRAGM PUMP ASSEMBLY			

SCALE	1 : 1	DRAWN BY	YJI
DATE	02/10/06	APPROVED BY	S.K.
THIRD ANG.PROJ.		DRAWING NUMBER:	DP-15F/B PLASTIC
REV			0

YAMADA AMERICA, INC.
 1200 NUCLEAR DRIVE - WEST CHICAGO, ILLINOIS 60185
 TOLL FREE 800-990-7867 OR 630-231-4083
 THIS IS A CAD DRAWING AND MUST NOT BE ALTERED MANUALLY.

AutoCAD® is a registered trademark of Autodesk, Inc.

Hytrel® is a registered trademark of E.I. du Pont de Nemours and Company.

Kynar® is a registered trademark of Arkema.

Nordel™ is a trademark of DuPont Dow Elastomers.

Ryton® is a registered trademark of Chevron Phillips Chemical Company.

Santoprene® is a registered trademark of Advanced Elastomer Systems.

Swagelok® & VCR® are trademarks of the Swagelok Companies.

Viton® is a registered trademark of DuPont Performance Elastomers.

Due to Yamada's continued commitment to product improvement, specifications may change without notice.