

# NDP-15 Specifications

## Port Dimensions (13.5 GPM Max.)

Intake & discharge connection:

|                                  |                 |
|----------------------------------|-----------------|
| Polypropylene (PPG) ■            | 1/2" Female NPT |
| Kynar® (PVDF) ◆                  | 1/2" Female NPT |
| Groundable Acetal ◆              | 1/2" Female NPT |
| Aluminum (ADC-12) ▲              | 1/2" Female NPT |
| Stainless Steel (316) ▲          | 1/2" Female NPT |
| Air inlet (includes ball valve): | 1/4" Female NPT |
| Air exhaust (internal silencer): | 3/8" Female NPT |

- Polypropylene pumps may be fitted with ball or flat check valves. Ball-type check valves are recommended for flooded suction applications. Flat-type check valves are recommended for suction lift applications.
- ◆ Kynar® and Groundable Acetal pumps are fitted with flat check valves only.
- ▲ Aluminum and Stainless Steel pumps are fitted with ball check valves only.

## Maximum Liquid Temperature\*

| Diaphragm Material     | Temperature   |
|------------------------|---------------|
| Buna N                 | 180°F (82°C)  |
| Neoprene               | 180°F (82°C)  |
| Santoprene® (TPO)      | 180°F (82°C)  |
| PTFE                   | 212°F (100°C) |
| Hytrel® (TPEE)         | 248°F (120°C) |
| Viton® fluoroelastomer | 248°F (120°C) |

\*The maximum liquid temperature for metal and Kynar® fitted pumps is determined by the elastomer (diaphragm material). Polypropylene and Groundable Acetal pumps have a maximum liquid temperature of 180°F (82°C) regardless of diaphragm material.

## Air Supply Pressure (All Models)

20–100 PSI (1.4–7 kfg/cm)

## Discharge Volume Per Cycle

0.0338 gallons (128 cc)

## Maximum Cycles Per Minute

All diaphragms: 400

## Maximum Size Solid: 1/32" (1 mm)

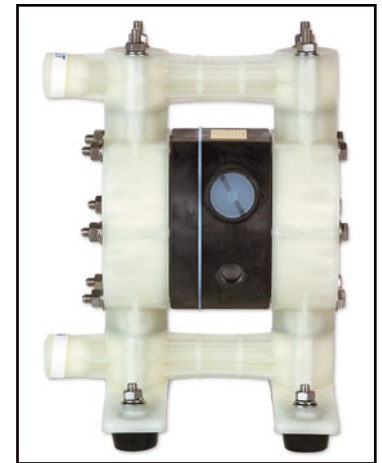
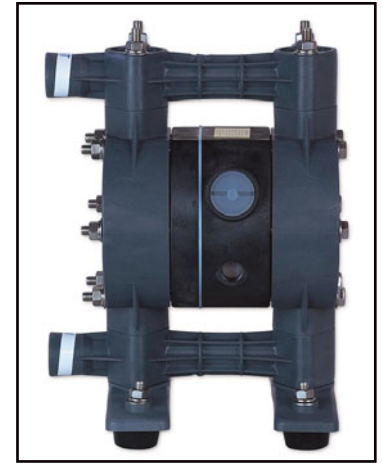
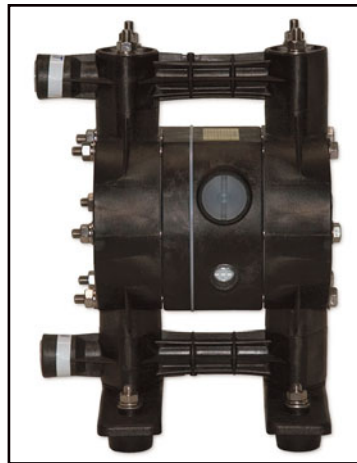
## Maximum Dry Suction Lift

Flat-type check valve: 8-feet

Ball-type check valve: 5-feet

## Pump Air Motor: Ryton® air motor standard

Notes: Hytrel® fitted pumps include Buna N wetted o-rings. Santoprene® fitted pumps include EPDM wetted o-rings.



### Aluminum

**Dimensions:** 8.66" W × 10.71" H

**Net Wt.:** 9 lbs. (4 kg)

**Shipping Wt.:** 11 lbs.

### Stainless Steel

**Dimensions:** 8.31" W × 9.7" H

**Net Wt.:** 13.6 lbs. (6.16 kg)

**Shipping Wt.:** 15.5 lbs.

### Kynar® (PVDF)

**Dimensions:** 8.66" W × 11.73" H

**Net Wt.:** 9.4 lbs. (4.2 kg)

**Shipping Wt.:** 11 lbs.

### Groundable Acetal

**Dimensions:** 8.66" W × 11.73" H

**Net Wt.:** 9 lbs. (4 kg)

**Shipping Wt.:** 11 lbs.

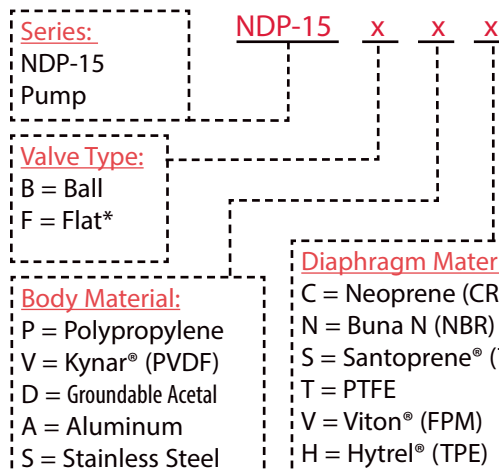
### Polypropylene

**Dimensions:** 8.66" W × 11.73" H

**Net Wt.:** 7.7 lbs. (3.5 kg)

**Shipping Wt.:** 9.5 lbs.

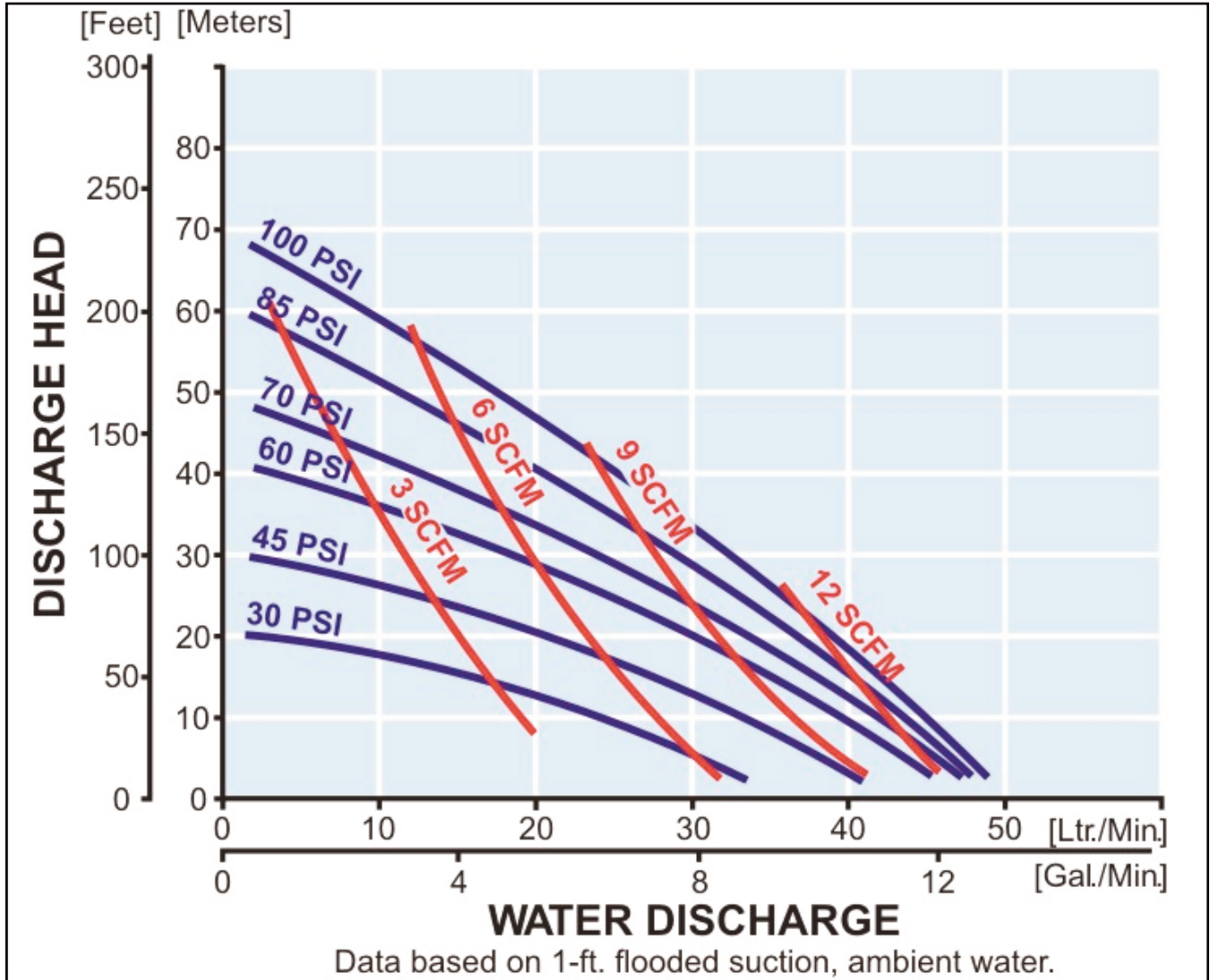
## Model Number Nomenclature



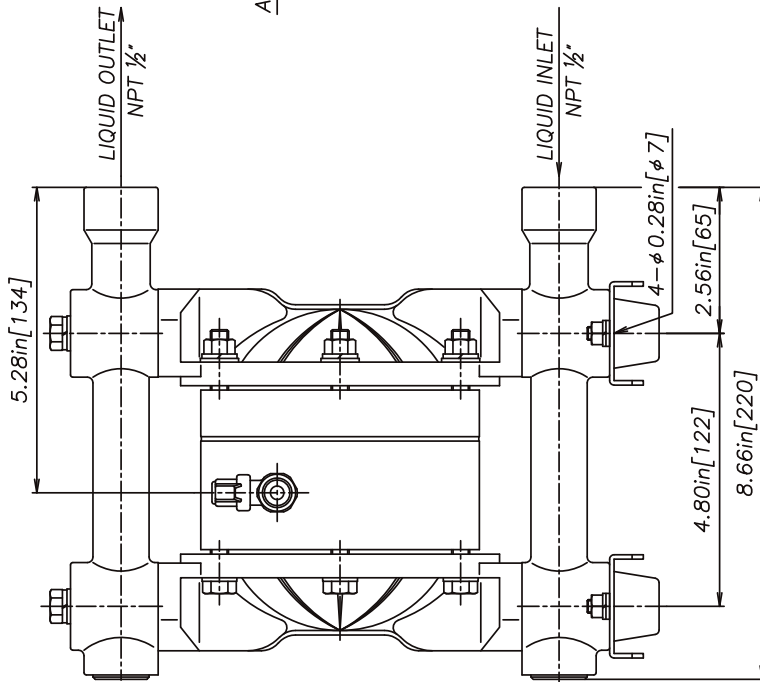
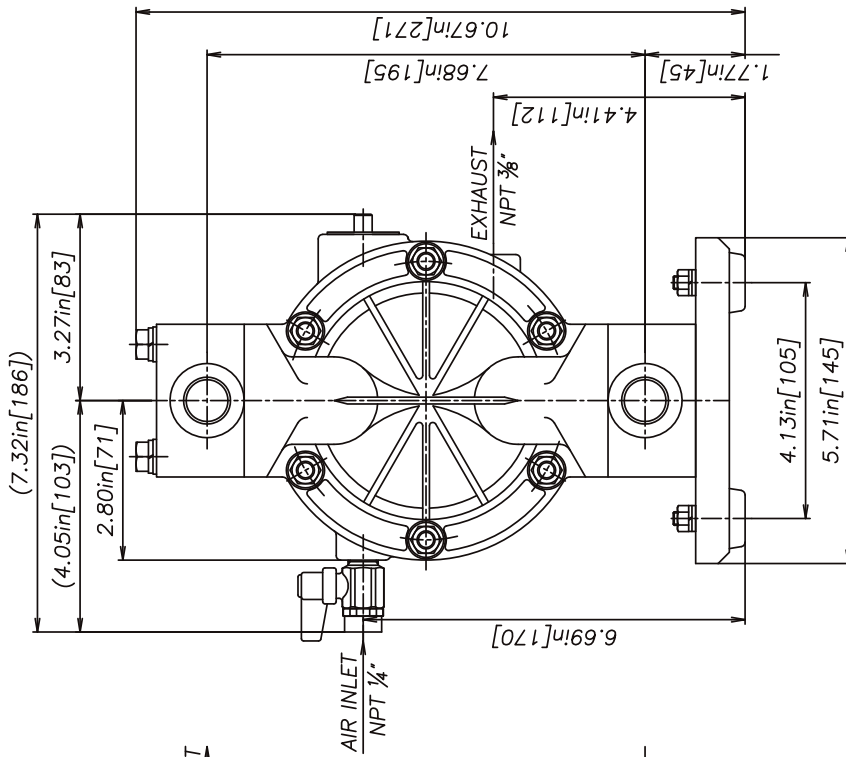
\* Flat valves are available for plastic pumps only.

# NDP-15 Performance Curve – All Valves

## All Diaphragm Materials

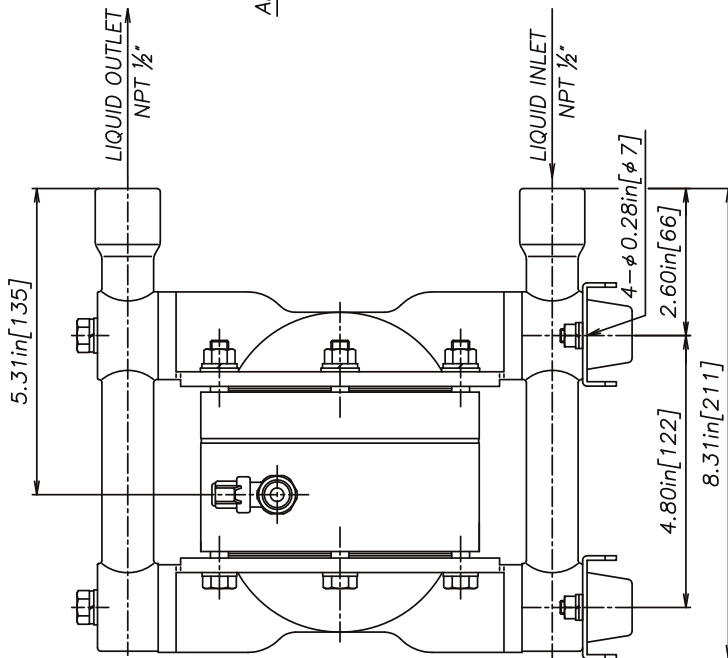
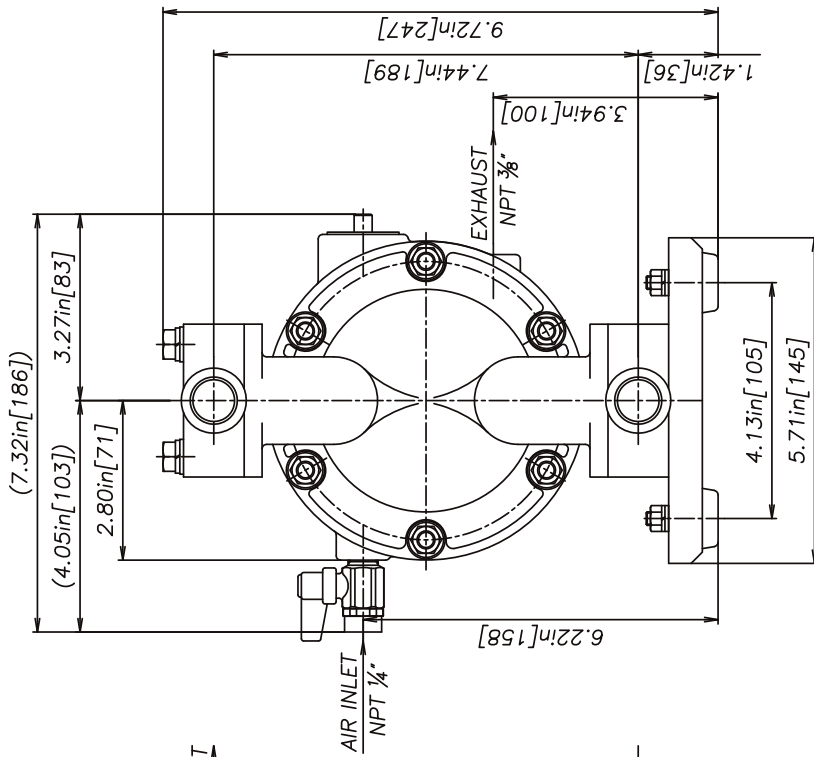


To calculate performance for Santoprene® and Hytrel®-fitted pumps, use Rubber Diaphragm Curve.



| REV                            | DATE                     | DESCRIPTION      | APPR'D |
|--------------------------------|--------------------------|------------------|--------|
| THE DWG. OF:                   |                          |                  |        |
| <b>DIAPHRAGM PUMP ASSEMBLY</b> |                          |                  |        |
| SCALE 1 : 1                    |                          | DRAWN BY YJI     |        |
| DATE 02/08/06                  |                          | APPROVED BY S.K. |        |
| THIRD ANG. PROJ.               | DRAWING NUMBER: NDP-15BA |                  | REV 0  |

**YAMADA AMERICA, INC.**  
 1200 NUCLEAR DRIVE - WEST CHICAGO, ILLINOIS 60185  
 TOLL FREE 800-990-7867 OR 630-231-4083  
 THIS IS A CAD DRAWING AND MUST NOT BE ALTERED MANUALLY.

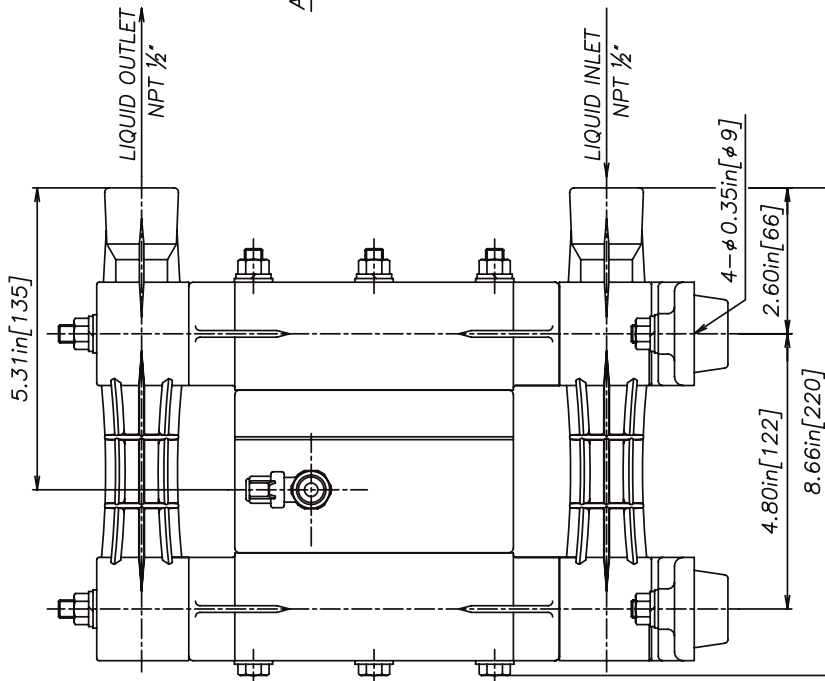
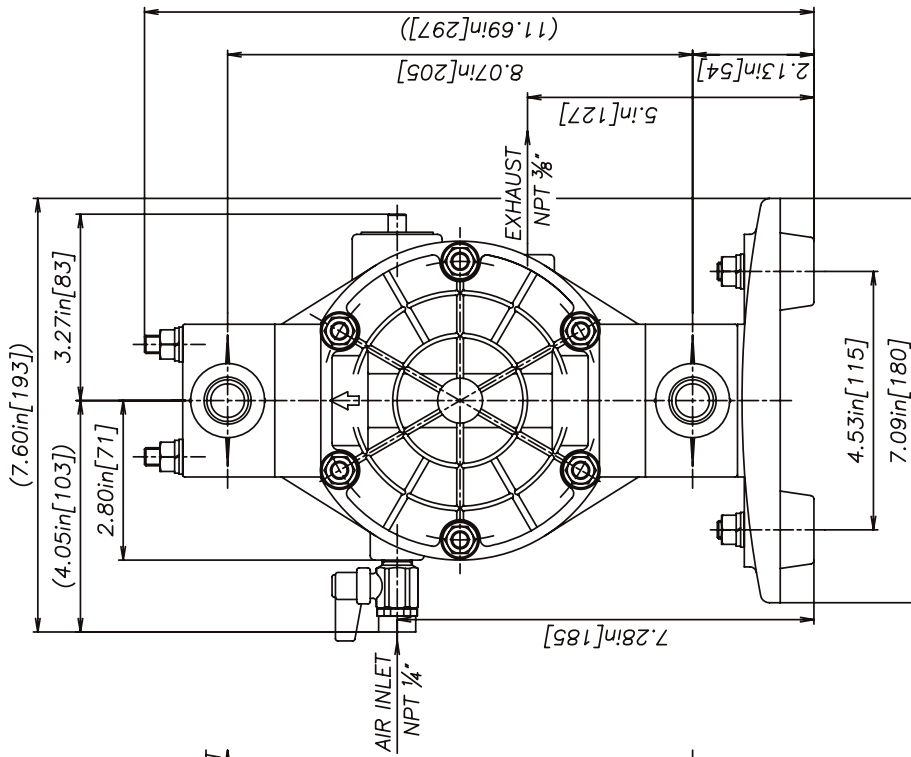


| REV   | DATE                            | DESCRIPTION      | APPR'D       |
|---|---------------------------------|------------------|--------------|
| THE DWG. OF: <b>DIAPHRAGM PUMP ASSEMBLY</b> |                                 |                  |              |
| SCALE 1 : 1                                 |                                 | DRAWN BY YJI     |              |
| DATE 02/08/06                               |                                 | APPROVED BY S.K. |              |
| THIRD ANG. PROJ.                            | DRAWING NUMBER: <b>NDP-15BS</b> |                  | REV <b>0</b> |

**YAMADA AMERICA, INC.**

1200 NUCLEAR DRIVE - WEST CHICAGO, ILLINOIS 60185  
TOLL FREE 800-990-7867 OR 630-231-4083

THIS IS A CAD DRAWING AND MUST NOT BE ALTERED MANUALLY.



| REV   | DATE                                     | DESCRIPTION      | APPR'D |
|---|--|------------------|--------|
| THE DWG. OF: <b>DIAPHRAGM PUMP ASSEMBLY</b> |  |                  |        |
| SCALE 1 : 1                                 |  | DRAWN BY YJI     |        |
| DATE 02/08/06                               |  | APPROVED BY S.K. |        |
| THIRD ANG. PROJ.                            | DRAWING NUMBER: <b>NDP-15F/B PLASTIC</b> |                  | REV 0  |

**YAMADA AMERICA, INC.**  
 1200 NUCLEAR DRIVE - WEST CHICAGO, ILLINOIS 60185  
 TOLL FREE 800-990-7867 OR 630-231-4083  
 THIS IS A CAD DRAWING AND MUST NOT BE ALTERED MANUALLY.

AutoCAD® is a registered trademark of Autodesk, Inc.

Hytrel® is a registered trademark of E.I. du Pont de Nemours and Company.

Kynar® is a registered trademark of Arkema.

Nordel™ is a trademark of DuPont Dow Elastomers.

Ryton® is a registered trademark of Chevron Phillips Chemical Company.

Santoprene® is a registered trademark of Advanced Elastomer Systems.

Swagelok® & VCR® are trademarks of the Swagelok Companies.

Viton® is a registered trademark of DuPont Performance Elastomers.

Due to Yamada's continued commitment to product improvement, specifications may change without notice.