

NDP-40 Specifications

Port Dimensions (107 GPM Max.)

Intake & discharge connection:

Polypropylene (PPG)	1-1/2" ANSI B16.5 #150
Kynar® (PVDF)	1-1/2" ANSI B16.5 #150
Aluminum (ADC-12)	1-1/2" ANSI B16.5 #150 (with tapped 1-1/2" Female NPT)
Stainless Steel (316)	1-1/2" ANSI B16.5 #150 or 1-1/2" Female NPT
Cast Iron	1-1/2" Female NPT
Air inlet (incl. ball valve):	1/2" Female NPT
Air exhaust (incl. silencer):	1" Female NPT

Maximum Liquid Temperature*

Diaphragm Material	Temperature
Buna N	180°F (82°C)
Neoprene	180°F (82°C)
Santoprene® (TPO)	180°F (82°C)
EPDM	212°F (100°C)
PTFE	212°F (100°C)
Hytrel® (TPEE)	248°F (120°C)
Viton® fluoroelastomer	248°F (120°C)

*The maximum liquid temperature for metal and Kynar®-fitted pumps is determined by the elastomer (diaphragm material). Polypropylene pumps have a maximum liquid temperature of 180°F (82°C) regardless of diaphragm material.

Air Supply Pressure (All Models)

20–100 PSI (1.4–7 kfg/cm)

Discharge Volume Per Cycle

Rubber diaphragm: 0.73 gallons (2.74 liters)
PTFE diaphragm: 0.37 gallons (1.40 liters)

Maximum Cycles Per Minute

Rubber diaphragm: 148
PTFE diaphragm: 270

Maximum Size Solid

9/32" (7 mm)

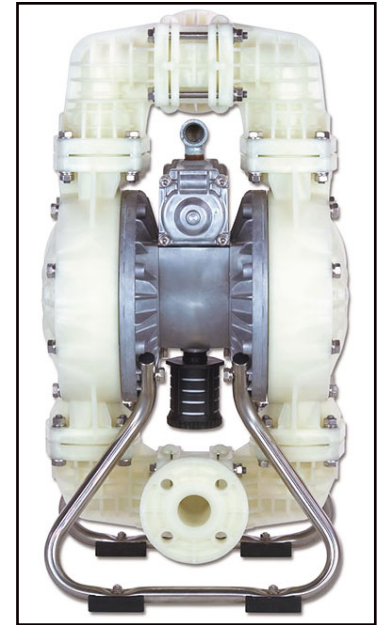
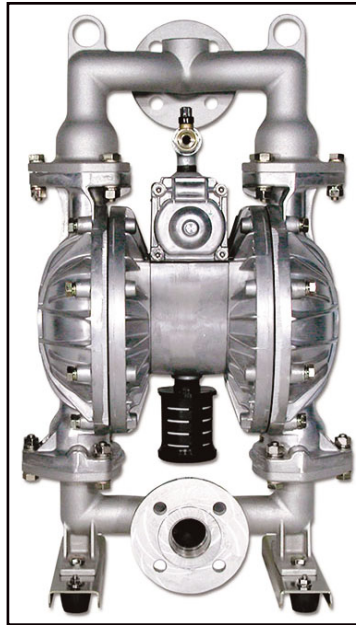
Maximum Dry Suction Lift

Rubber-fitted pump capability: 18-feet

Air Motor

Aluminum Air Motor–Standard
Optional coating: PTFE grey coated (XP)

Notes: Hytrel® fitted pumps include Buna N wetted o-rings. Santoprene® fitted pumps include EPDM wetted o-rings. Kynar® (PVDF) pumps fitted with Santoprene®, Hytrel®, or PTFE include PTFE check balls and o-rings.



Aluminum (top left)

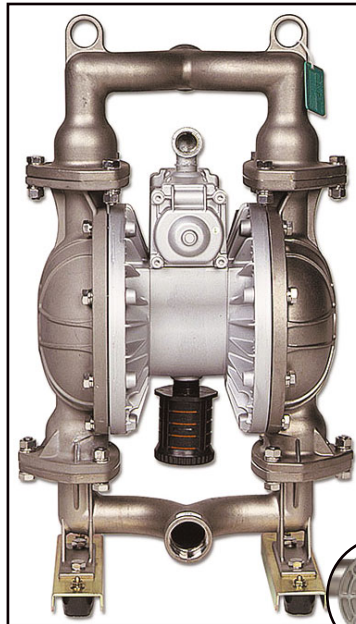
Dimensions: 16.18" W × 27.91" H
Net Wt.: 68 lbs. (28.9 kg)
Shipping Wt.: 75 lbs.

Polypropylene or Kynar® (top right)

Dimensions: 15.75" W × 29.61" H
Net Wt.: 70 lbs. (29.9 kg)
Shipping Wt.: 78 lbs.

Cast Iron or Stainless Steel (left)

Dimensions: 16.18" W × 27.75" H
Net Wt.: C. Iron: 112 lbs. (59.8 kg)
SS: 98 lbs. (39.9 kg)
Ship Wt.: C. Iron: 120 lbs.
SS: 106 lbs.



Note: ANSI Flange available for Stainless Steel

Model Number Nomenclature

Series: NDP-40 B x x
NDP-40 Pump

Valve Type:
B = Ball

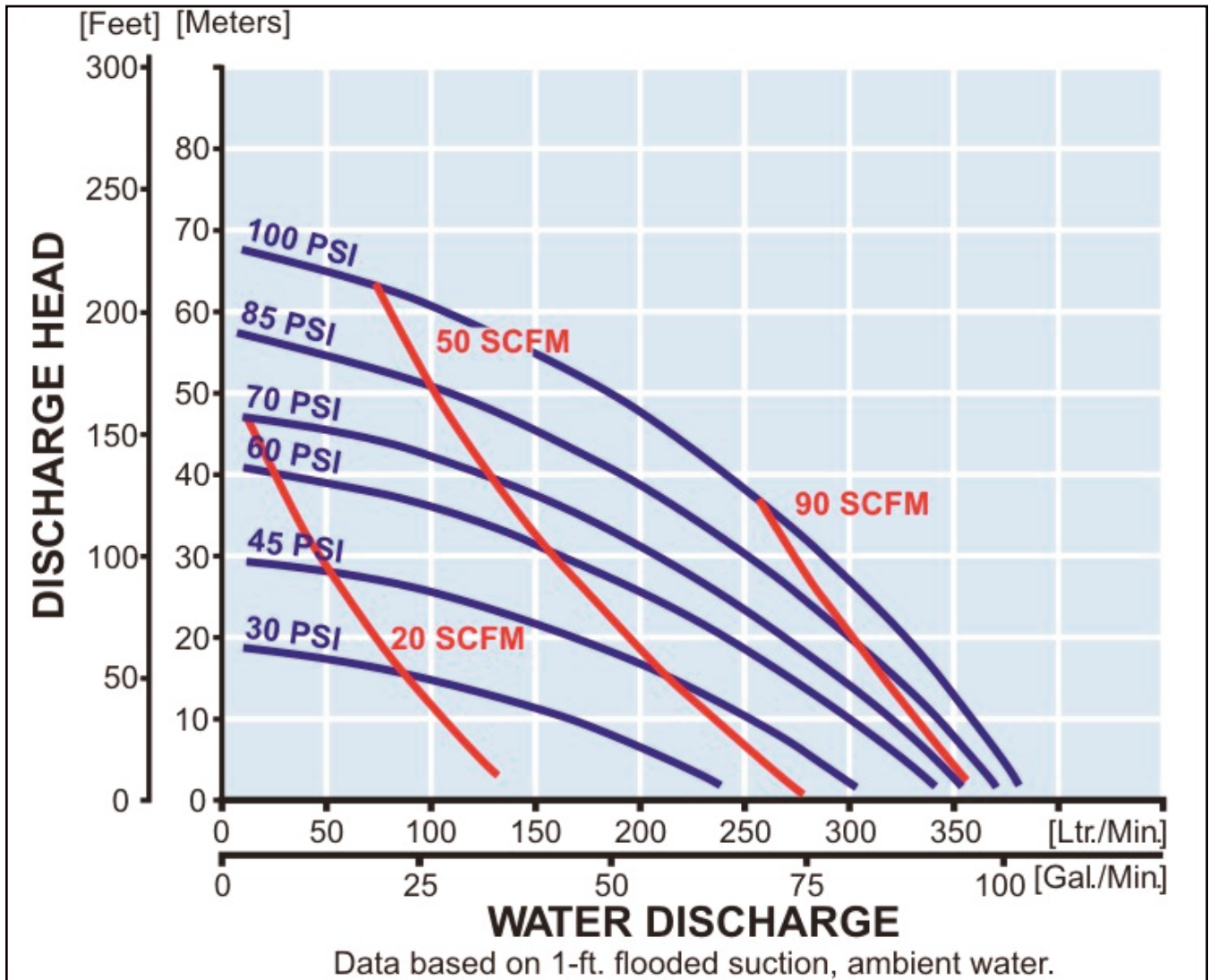
Body Material:
P = Polypropylene
V = Kynar®
A = Aluminum
S = Stainless Steel
F = Cast Iron

Diaphragm Material:
C = Neoprene (CR)
N = Buna N (NBR)
E = Nordel™ (EPDM)
S = Santoprene® (TPO)
T = PTFE
V = Viton® (FKM)
H = Hytrel® (TPE)

Note: For NPT-fitted Stainless Steel, add "NPT" at end of model number nomenclature.

NDP-40 Performance Curve – Rubber

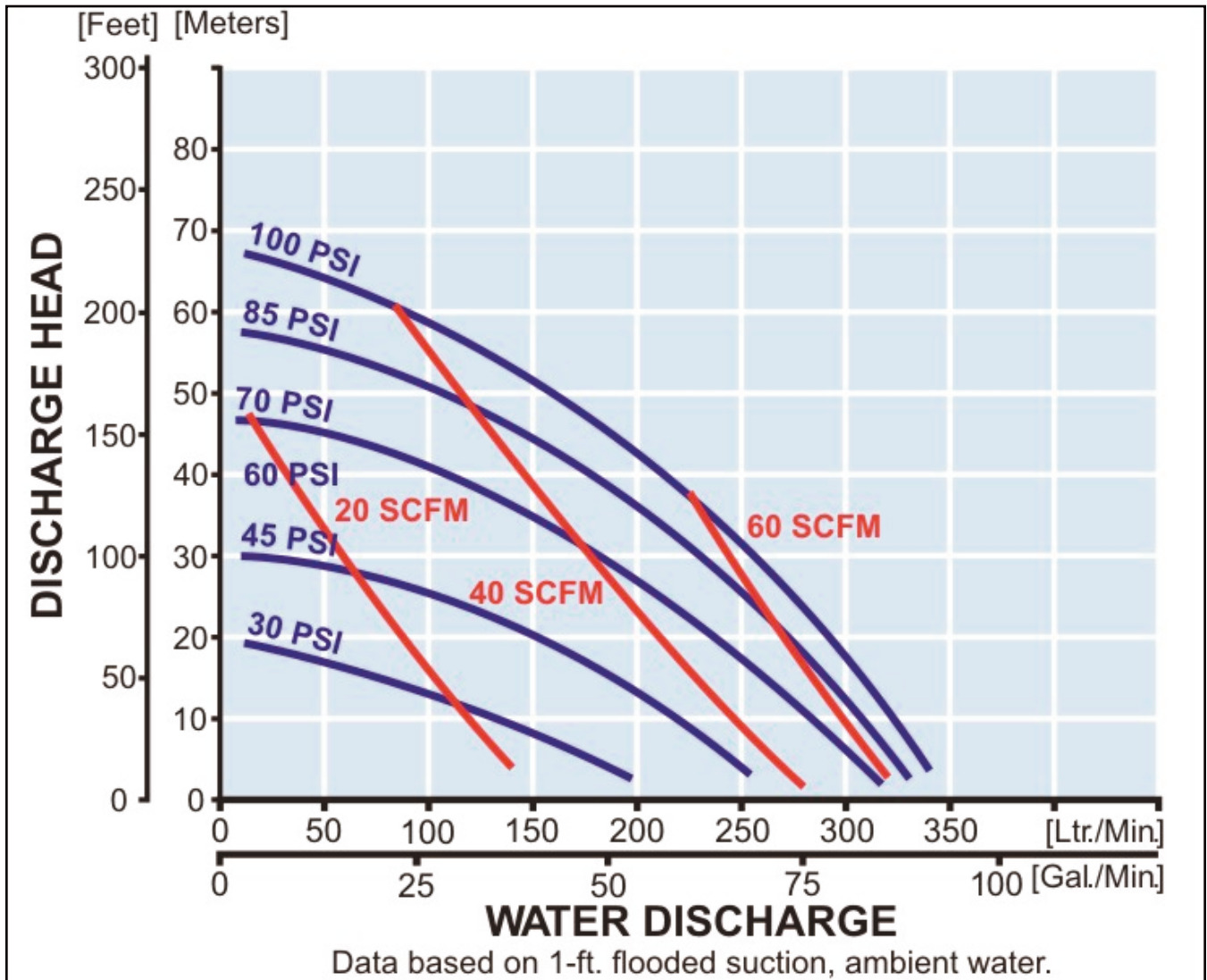
Rubber Diaphragm Performance Curve



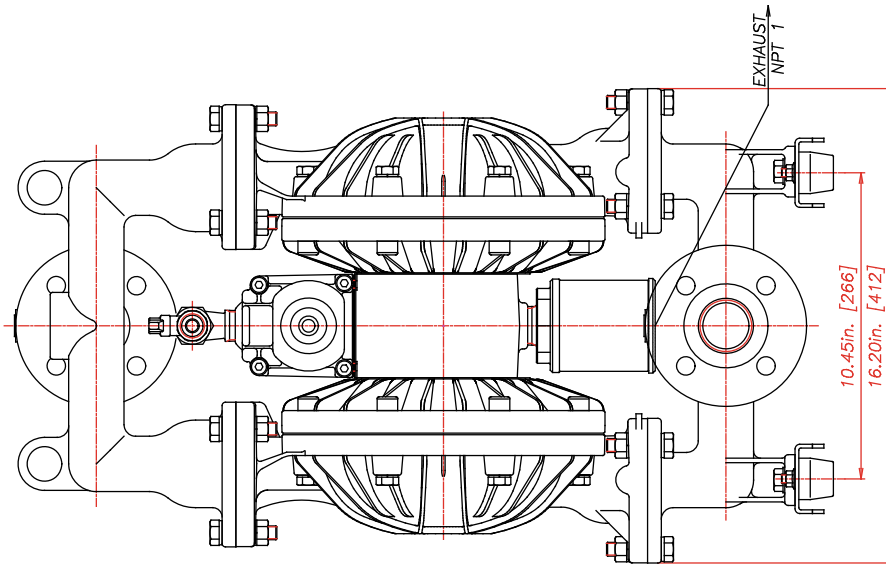
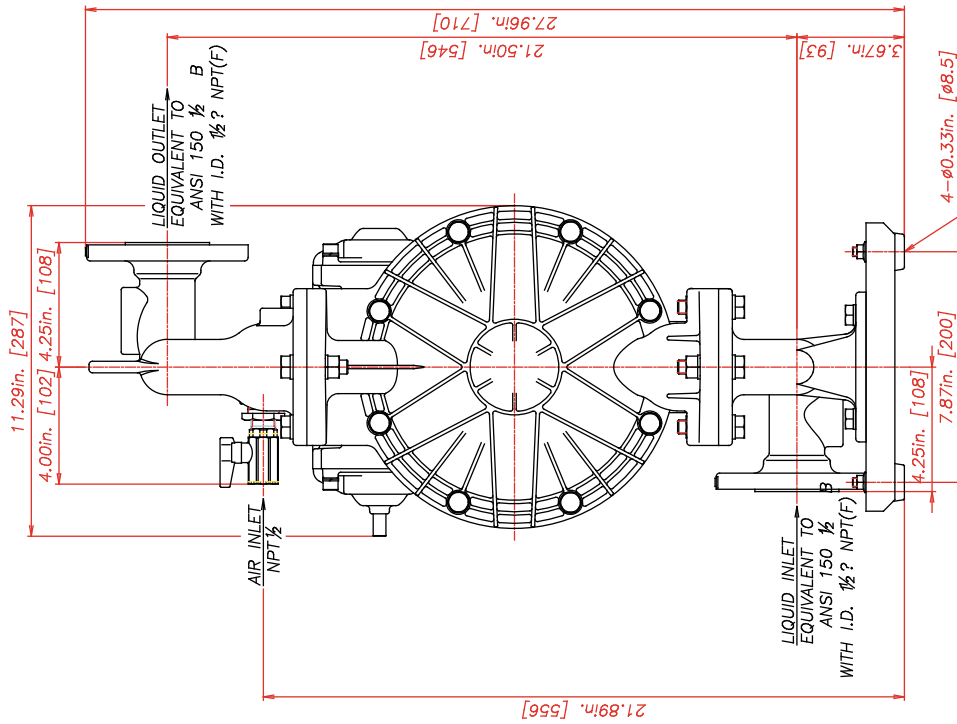
To calculate performance for Santoprene and Hytrel-fitted pumps, use Rubber Diaphragm Curve.

NDP-40 Performance Curve – PTFE

PTFE Diaphragm Performance Curve



To calculate performance for Santoprene and Hytrel-fitted pumps, use Rubber Diaphragm Curve.

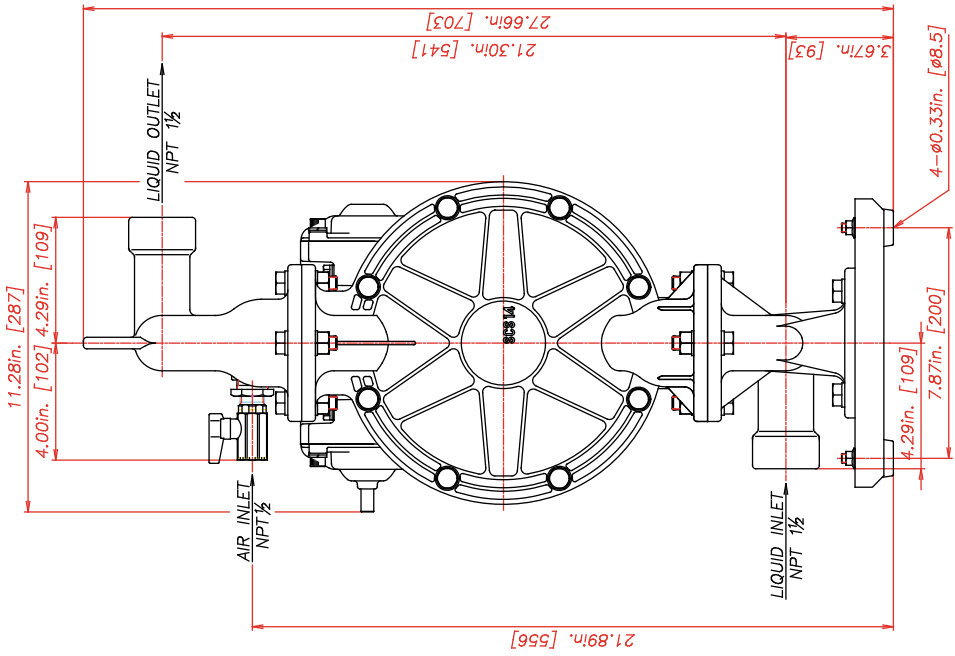


REV	DATE	DESCRIPTION	APPR'D
THE DWG. OF: DIAPHRAGM PUMP ASSEMBLY			
SCALE 1 : 1		DRAWN BY YJI	
DATE 01/09/12		APPROVED BY S.K.	
THIRD ANGRPLJ	DRAWING NUMBER: NDP-40BA		REV 1

YAMADA AMERICA, INC.

955 EAST ALGONQUIN ROAD - ARLINGTON HEIGHTS, ILLINOIS 60005
TOLL FREE 800-990-7867 OR 630-231-4083

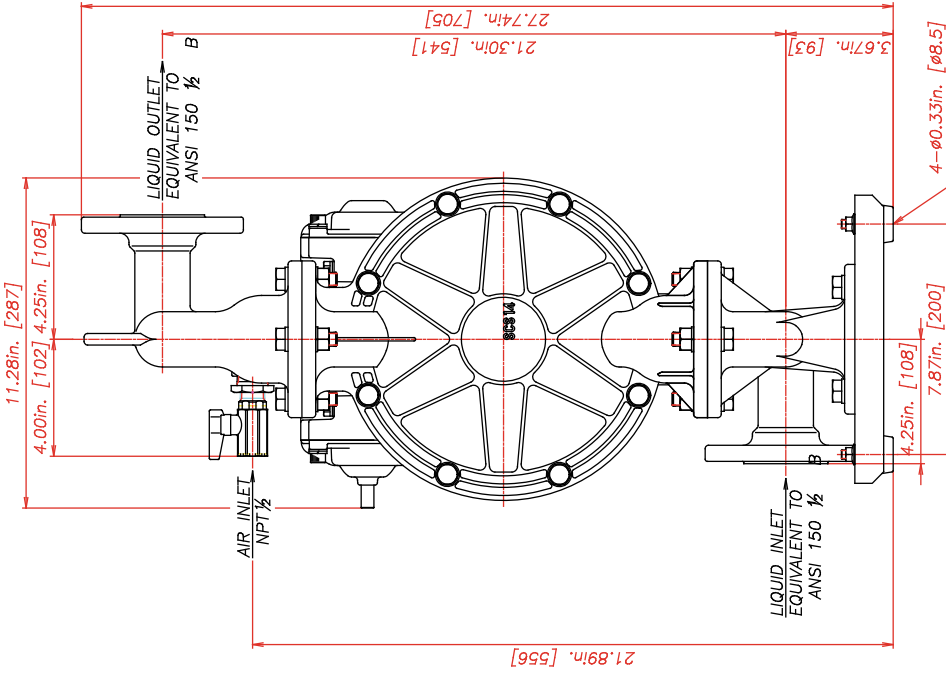
THIS IS A CAD DRAWING AND MUST NOT BE ALTERED MANUALLY.



REV	DATE	DESCRIPTION	APPR'D
THE DWG. OF:			
DIAPHRAGM PUMP ASSEMBLY			
SCALE 1 : 1		DRAWN BY YJI	
DATE 01/09/12		APPROVED BY S.K.	
THIRD ANGRPLJ	DRAWING NUMBER: NDP-40BS NPT		REV 1

YAMADA AMERICA, INC.
 955 EAST ALGONQUIN ROAD - ARLINGTON HEIGHTS, ILLINOIS 60005
 TOLL FREE 800-990-7867 OR 630-251-4083
 THIS IS A CAD DRAWING AND MUST NOT BE ALTERED MANUALLY.





11.28in. [287]

4.00in. [102] 4.25in. [108]

LIQUID OUTLET TO EQUIVALENT TO ANSI 150 1/2 B

AIR INLET NPT 1/2

LIQUID INLET TO EQUIVALENT TO ANSI 150 1/2

EXHAUST NPT 1

21.89in. [556]

21.30in. [541]

27.74in. [705]

3.67in. [93]

4.25in. [108]

7.87in. [200]

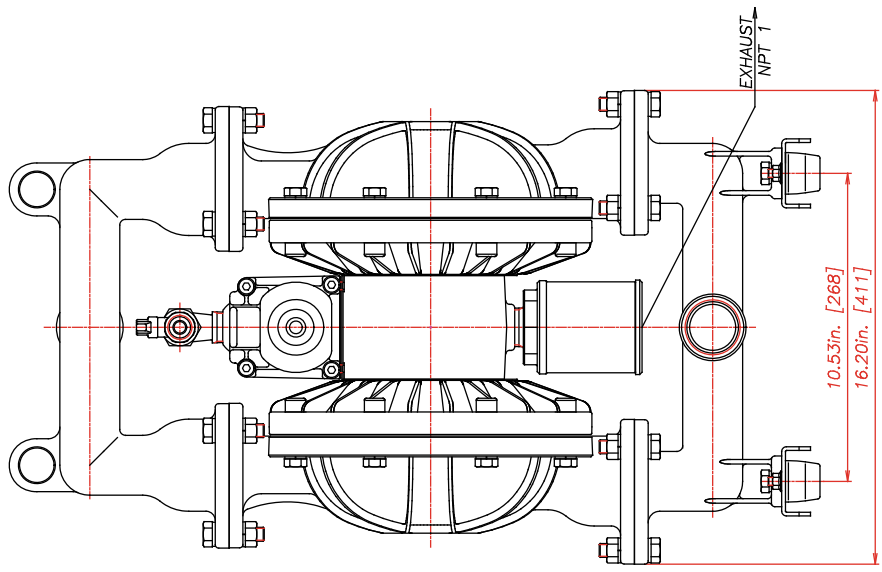
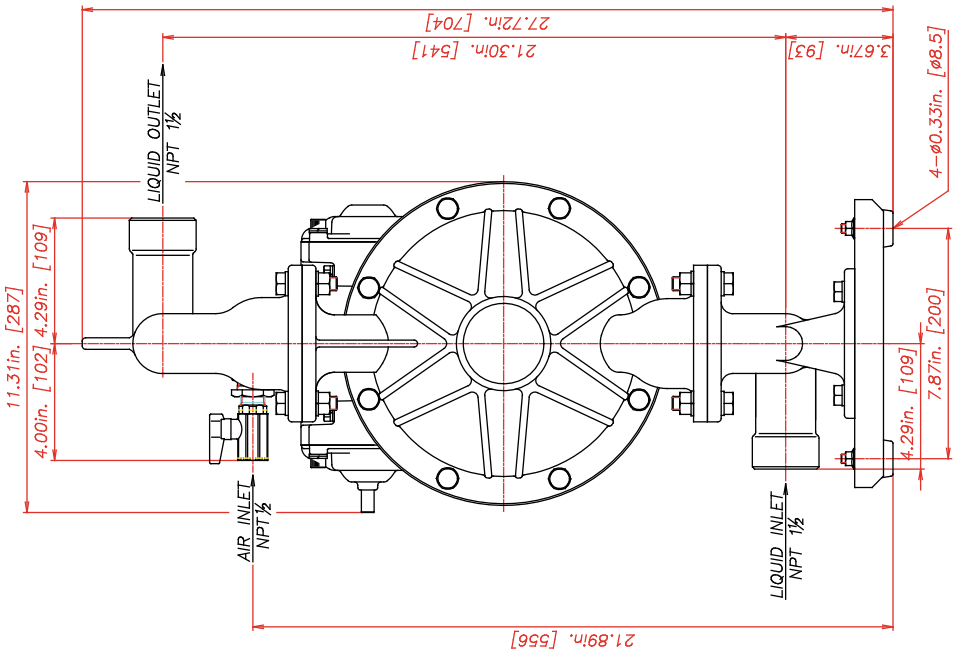
4-ø0.33in. [ø8.5]

10.53in. [268]

16.20in. [411]

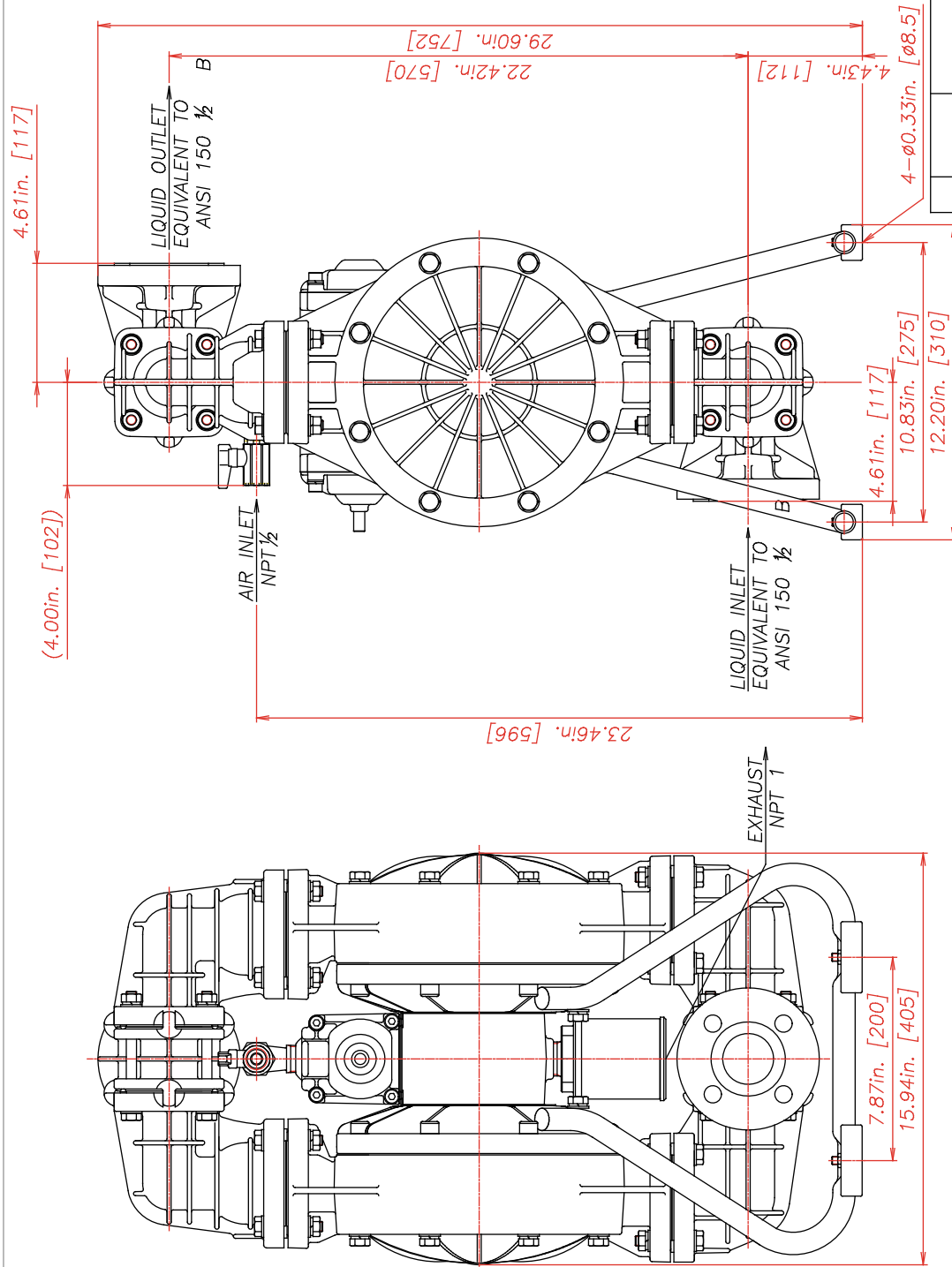
REV	DATE	DESCRIPTION	APPR'D
THE DWG. OF: DIAPHRAGM PUMP ASSEMBLY			
SCALE	1 : 1	DRAWN BY	Y JI
DATE	01/09/12	APPROVED BY	S.K.
THIRD ANGLE PROJ.	DRAWING NUMBER: NDP-40BS FLANGE		
REV	1		

YAMADA AMERICA, INC.
 955 EAST ALGONQUIN ROAD - ARLINGTON HEIGHTS, ILLINOIS 60005
 TOLL FREE 800-990-7867 OR 630-251-4083
 THIS IS A CAD DRAWING AND MUST NOT BE ALTERED MANUALLY.



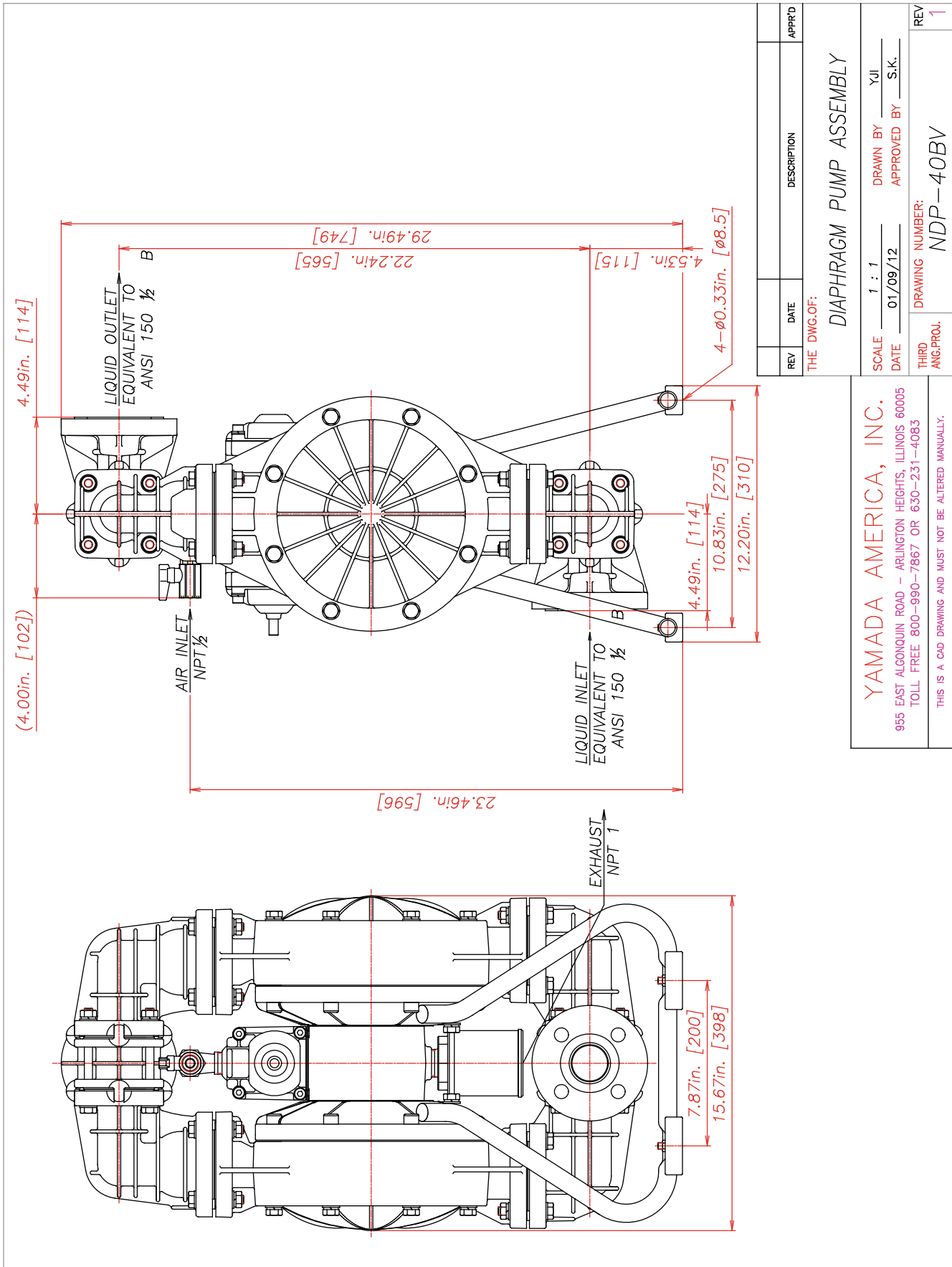
REV	DATE	DESCRIPTION	APPR'D
THE DWG. OF:			
DIAPHRAGM PUMP ASSEMBLY			
SCALE 1 : 1		DRAWN BY Y.JI	
DATE 01/09/12		APPROVED BY S.K.	
THIRD ANGRPLJ.	DRAWING NUMBER: NDP-40BF		REV 1

YAMADA AMERICA, INC.
 955 EAST ALGONQUIN ROAD - ARLINGTON HEIGHTS, ILLINOIS 60005
 TOLL FREE 800-990-7867 OR 630-231-4083
 THIS IS A CAD DRAWING AND MUST NOT BE ALTERED MANUALLY.



REV	DATE	DESCRIPTION	APPR'D
THE DWG. OF: DIAPHRAGM PUMP ASSEMBLY			
SCALE: 1 : 1		DRAWN BY: YJI	
DATE: 01/09/12		APPROVED BY: S.K.	
THIRD ANG. PROJ.	DRAWING NUMBER: NDP-40BP		REV: 1

YAMADA AMERICA, INC.
 955 EAST ALGONQUIN ROAD - ARLINGTON HEIGHTS, ILLINOIS 60005
 TOLL FREE 800-990-7867 OR 630-231-4083
 THIS IS A CAD DRAWING AND MUST NOT BE ALTERED MANUALLY.



REV	DATE	DESCRIPTION	APPR'D
THE DWG. OF:			
DIAPHRAGM PUMP ASSEMBLY			
SCALE 1 : 1		DRAWN BY YJI	
DATE 01/09/12		APPROVED BY S.K.	
THIRD ANG. PROJ.	DRAWING NUMBER: NDP-40BV		REV 1

YAMADA AMERICA, INC.
 955 EAST ALGONQUIN ROAD - ARLINGTON HEIGHTS, ILLINOIS 60005
 TOLL FREE 800-990-7867 OR 630-251-4083
 THIS IS A CAD DRAWING AND MUST NOT BE ALTERED MANUALLY.

AutoCAD® is a registered trademark of Autodesk, Inc.

Hytrel® is a registered trademark of E.I. du Pont de Nemours and Company.

Kynar® is a registered trademark of Arkema.

Nordel™ is a trademark of DuPont Dow Elastomers.

Ryton® is a registered trademark of Chevron Phillips Chemical Company.

Santoprene® is a registered trademark of Advanced Elastomer Systems.

Swagelok® & VCR® are trademarks of the Swagelok Companies.

Viton® is a registered trademark of DuPont Performance Elastomers.

Due to Yamada's continued commitment to product improvement, specifications may change without notice.